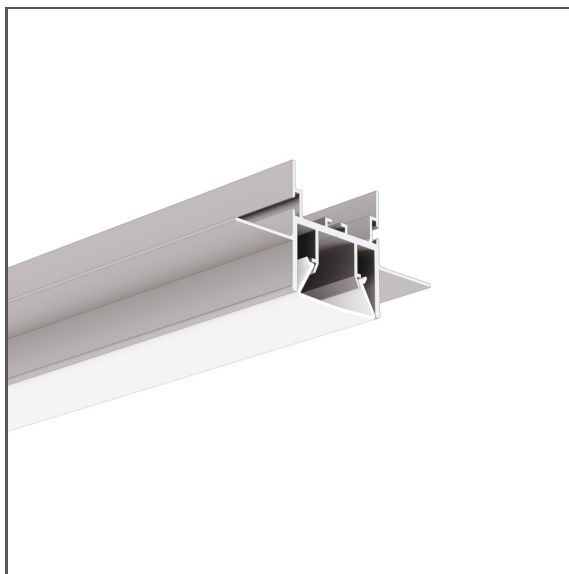


Profile FOLED

Ref. A08332V1

Ref. arch B8332V1



- Installation of lighting and stretch films in suspension
- Mounting to 12,5 mm - 0.49" drywall
- Non visible aluminum elements
- Line of light flush with the surface

APPLICATION

- lighting recessed in surfaces made of stretch film and in drywall

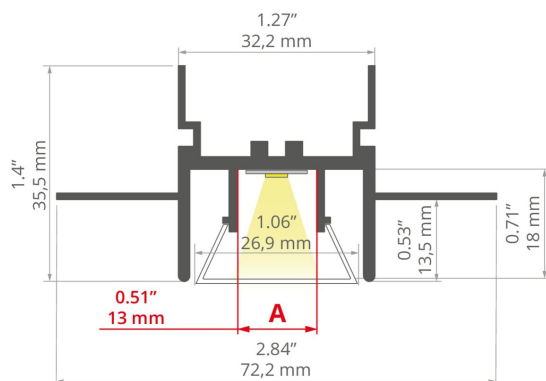
MOUNTING

- suspended or in drywall, using a dedicated mounting track, dedicated accessories and screws
- can be easily connected into runs and systems

ADDITIONAL INFORMATION

- the profile has grooves for the attachment of the hooks from the stretch film
- standard lengths of KLUŚ profiles and covers: 1000 mm (tolerance ± 1.5 mm) and 2005 mm / 3010 mm (tolerance + 5 mm); for selected covers: 6050 mm, 10050 mm (tolerance + 5 mm)
- when choosing a different length of profiles / covers than available in the standard, you should additionally choose the cutting service at KLUŚ

TECHNICAL DRAWING



TECHNICAL SPECIFICATIONS

Material	aluminum
Color	■ silver non anodized
Possible fixture IP	20
Possible fixture shapes	linear, polygonal
Profile cross-section	rectangular
Width	72.2 mm
Height	35.5 mm
LED gluing width A	13 mm
Number of LED strips A (8 mm wide)	1
Possibility of obtaining a line of light	yes
Building type	Commercial, Retail, Entertainment/ Arts, HoReCa object
Facility zone	office, conference room, communication routes and corridors
The cover is cut to the length of the profile	yes
Can be easily connected into runs	yes
Wire out back of extrusion	yes

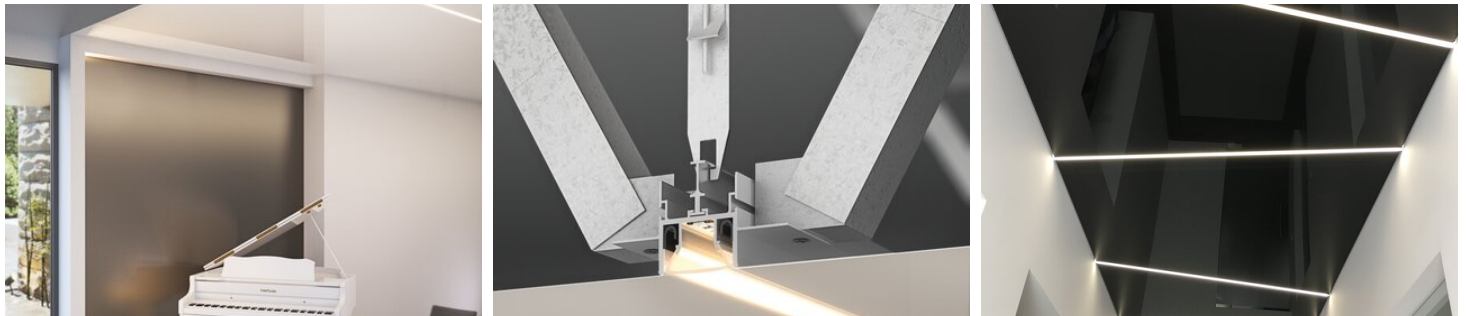
Length	Ref
1000 mm	A08332V1N_1 B8332V1NA_1
2005 mm	A08332V1N_2 B8332V1NA_2
3010 mm	A08332V1N_3 B8332V1NA_3

Profile FOLED

Ref. A08332V1

Ref. arch B8332V1

SAMPLE PROJECTS



RELATED PROFILES > MOUNTING TRACKS

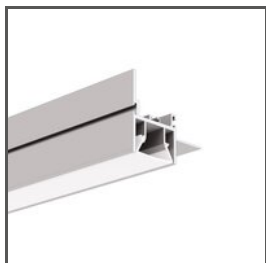


FOLHAK

A08338

Ref. arch B8338

RELATED PROFILES > STRETCH CEILINGS



FOLED-BOK

A08334V1

Ref. arch B8334V1





FOLED-SUF

A08333V1

Ref. arch B8333V1

RELATED ACCESSORIES > RELATED COVERS



NAME	MATERIAL	MATERIAL TRANSMITTANCE	COLOR	REF.
FOLED		78 %	<input type="checkbox"/> frosted	17077V1
	PMMA			
		39 %	<input checked="" type="checkbox"/> black	B17045C 17045

Profile FOLED

Ref. A08332V1

Ref. arch B8332V1

RELATED ACCESSORIES > RELATED END CAPS

NAME	MATERIAL	COLOR	REF.
FOLED-W	 PMMA	<input type="checkbox"/> white	C24277C10 24277
		<input checked="" type="checkbox"/> black	C28013C07 24285
FOLED	 stainless steel	steel	C28226N00 42652

RELATED ACCESSORIES > OTHER RELATED ACCESSORIES > CONNECTORS



CONNECTOR
ZM-NA-120
C28242N00
Ref. arch 42729

RELATED ACCESSORIES > OTHER RELATED ACCESSORIES > MOUNTING BRACKETS



SPRING HANGER
Z71000
Ref. arch 79106

RELATED ACCESSORIES > OTHER RELATED ACCESSORIES > OTHER



GLAND
6x1,2
C24517C07
Ref. arch 00802