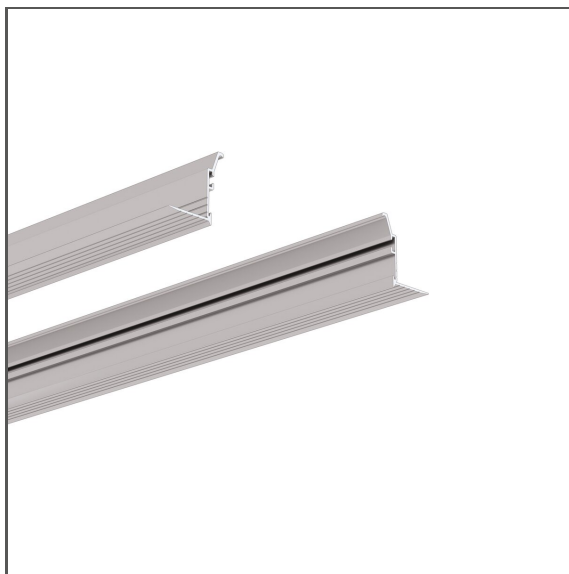


# Profile MOD-KR-KOZE

Ref. A01772

Ref. arch C1772



- Mounting track
- Component of the mounting track
- Edge profile to be adhered and covered with plaster

## APPLICATION

- building openwork mounting tracks for lighting fixtures

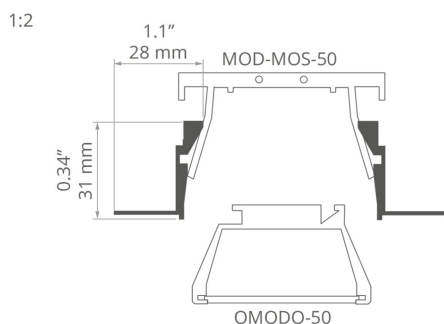
## MOUNTING

- combined with bridges, using dedicated accessories

## ADDITIONAL INFORMATION

- standard lengths of KLUŚ profiles and covers: 1000 mm (tolerance  $\pm 1.5$  mm) and 2005 mm / 3010 mm (tolerance + 5 mm); for selected covers: 6050 mm, 10050 mm (tolerance + 5 mm)
- when choosing a different length of profiles / covers than available in the standard, you should additionally choose the cutting service at KLUŚ

## TECHNICAL DRAWING



## TECHNICAL SPECIFICATIONS

Material	aluminum
Color	■ silver non anodized
Possible fixture shapes	linear, polygonal
Width	28 mm
Height	31 mm
Building type	Commercial, Retail, Entertainment/ Arts, HoReCa object
Facility zone	office, communication routes and corridors, conference room, lobby / foyer
Can be easily connected into runs	yes
Mounting to drywall	yes
To cover with plaster	yes

Length	Ref
1000 mm	A01772N_1 C1772NA_1
2005 mm	A01772N_2 C1772NA_2
3010 mm	A01772N_3 C1772NA_3

# Profile MOD-KR-KOZE

Ref. A01772

Ref. arch C1772

## RELATED PROFILES > MOUNTING TRACKS



**RAM-KOZE-50**

A18055

Ref. arch 18055



**RAM-KOZE-100**

A18057

Ref. arch 18057