

Profile RAM-KOL-50

Ref. A18060

Ref. arch 18060



- Mounting track
- Easy servicing of the OMODO-50 Profile
- Installation from below, wall to wall
- Openwork structure
- Adjustable spacing of bridges in the mounting track
- Mounting to drywall
- Invisible groove edge

APPLICATION

- makes mounting and service of the OMODO-50 profile easy

MOUNTING

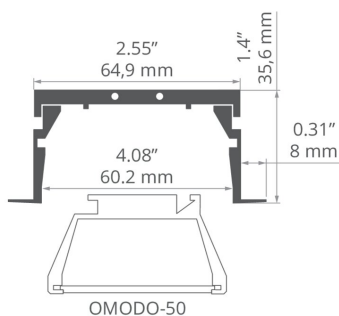
- in drywall, using dedicated accessories
- can be easily connected into runs and systems

ADDITIONAL INFORMATION

- standard lengths of KLUŚ profiles and covers: 1000 mm (tolerance ± 1.5 mm) and 2005 mm / 3010 mm (tolerance + 5 mm); for selected covers: 6050 mm, 10050 mm (tolerance + 5 mm)
- when choosing a different length of profiles / covers than available in the standard, you should additionally choose the cutting service at KLUŚ

TECHNICAL DRAWING

1:2



TECHNICAL SPECIFICATIONS

Material	aluminum
Color	■ silver anodized
Possible fixture shapes	linear, polygonal
Width	64.9 mm
Height	35.6 mm
Building type	Commercial, HoReCa object, Entertainment/ Arts
Facility zone	lobby / foyer, office, conference room, communication routes and corridors
Can be easily connected into runs	yes
Mounting to drywall	yes
Wire out back of extrusion	yes

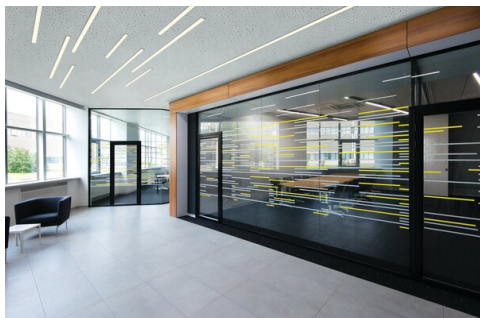
Length	Ref
1000 mm	A18060A_1 18060ANODA_1
2005 mm	A18060A_2 18060ANODA_2
3010 mm	A18060A_3 18060ANODA_3

Profile RAM-KOL-50

Ref. A18060

Ref. arch 18060

SAMPLE PROJECTS



RELATED PROFILES > FOR MAIN LIGHTING



OMODO-50

A18053

Ref. arch 18053

RELATED PROFILES > MOUNTING TRACKS



MOD-MOS-50

A01773

Ref. arch C1773



MOD-KR-KOL

A02053

Ref. arch C2053

RELATED ACCESSORIES > RELATED END CAPS

NAME	MATERIAL	COLOR	REF.
RAM-KOL-50	ABS	gray	C24355C02 24355

Profile RAM-KOL-50

Ref. A18060

Ref. arch 18060

RELATED ACCESSORIES > OTHER RELATED ACCESSORIES > ADDITIONAL ITEMS



TOOL
KR
Z70449
Ref. arch 70449



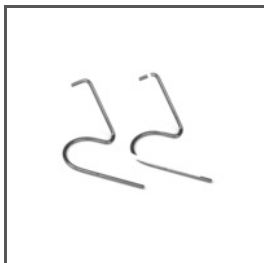
MOUNTING WEDGE
Z70397
Ref. arch 70397

RELATED ACCESSORIES > OTHER RELATED ACCESSORIES > CONNECTORS



CONNECTOR
ZM-180
C28075N00
Ref. arch 40693

RELATED ACCESSORIES > OTHER RELATED ACCESSORIES > SPRINGS FOR RECESSED MOUNT AND MOUNTING TRACKS



SPRING
RAM-1
C42738N00
Ref. arch 42738