

Profile RAM-KOZE-50

Ref. A18055

Ref. arch 18055



- Mounting track
- Easy servicing of the OMODO-50 Profile
- Installation from below, wall to wall
- Openwork structure
- Adjustable spacing of bridges in the mounting track
- Mounting to drywall
- Non visible aluminum elements

APPLICATION

- makes mounting and service of the OMODO-50 profile easy

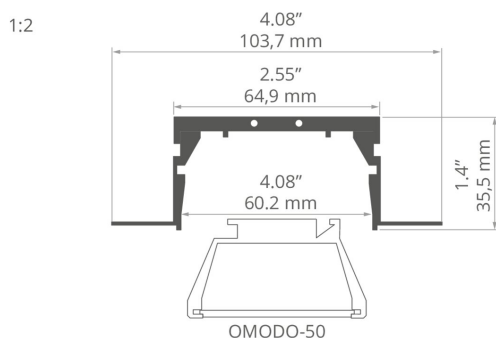
MOUNTING

- in drywall, with mounting adhesive
- can be easily connected into runs and systems

ADDITIONAL INFORMATION

- standard lengths of KLUŚ profiles and covers: 1000 mm (tolerance ± 1.5 mm) and 2005 mm / 3010 mm (tolerance + 5 mm); for selected covers: 6050 mm, 10050 mm (tolerance + 5 mm)
- when choosing a different length of profiles / covers than available in the standard, you should additionally choose the cutting service at KLUŚ

TECHNICAL DRAWING



TECHNICAL SPECIFICATIONS

Material	aluminum
Color	■ silver non anodized
Possible fixture shapes	linear, polygonal
Width	103.7 mm
Height	35.5 mm
Building type	Commercial, HoReCa object, Entertainment/ Arts
Facility zone	lobby / foyer, office, conference room, communication routes and corridors
Can be easily connected into runs	yes
Mounting to drywall	yes
To cover with plaster	yes
Wire out back of extrusion	yes

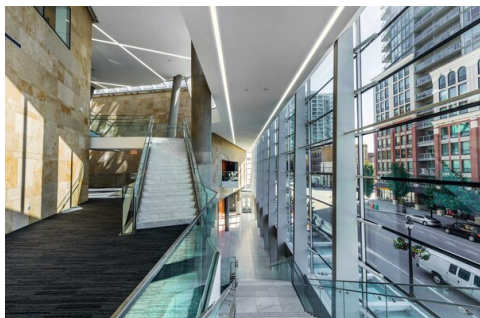
Length	Ref
1000 mm	A18055N_1 18055NA_1
2005 mm	A18055N_2 18055NA_2
3010 mm	A18055N_3 18055NA_3

Profile RAM-KOZE-50

Ref. A18055

Ref. arch 18055

SAMPLE PROJECTS



RELATED PROFILES > FOR MAIN LIGHTING



OMODO-50

A18053

Ref. arch 18053

RELATED PROFILES > MOUNTING TRACKS



MOD-MOS-50

A01773

Ref. arch C1773



MOD-KR-KOZE

A01772

Ref. arch C1772

RELATED ACCESSORIES > RELATED END CAPS

NAME	MATERIAL	COLOR	REF.
RAM-TEZE-50	ABS	gray	C24350C02 24350

Profile RAM-KOZE-50

Ref. A18055

Ref. arch 18055

RELATED ACCESSORIES > OTHER RELATED ACCESSORIES > ADDITIONAL ITEMS



TOOL
KR
Z70449
Ref. arch 70449



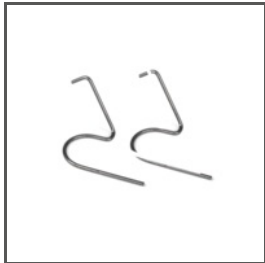
MOUNTING WEDGE
Z70397
Ref. arch 70397

RELATED ACCESSORIES > OTHER RELATED ACCESSORIES > CONNECTORS



CONNECTOR
ZM-180
C28075N00
Ref. arch 40693

RELATED ACCESSORIES > OTHER RELATED ACCESSORIES > SPRINGS FOR RECESSED MOUNT AND MOUNTING TRACKS



SPRING
RAM-1
C42738N00
Ref. arch 42738