

Profile RAM-TEK-50

Ref. A18059

Ref. arch 18059



- Mounting track
- Easy servicing of the OMODO-50 Profile
- Installation from below, wall to wall
- Openwork structure
- Adjustable spacing of bridges in the mounting track
- Mounting to 12,5 mm - 0.49" drywall
- Stable mounting to a suspended ceiling

APPLICATION

- makes mounting and service of the OMODO-50 profile easy

MOUNTING

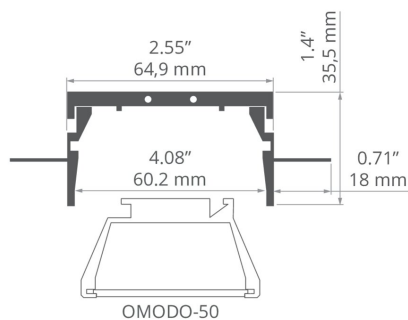
- in drywall, with screws
- can be easily connected into runs and systems

ADDITIONAL INFORMATION

- standard lengths of KLUŚ profiles and covers: 1000 mm (tolerance ± 1.5 mm) and 2005 mm / 3010 mm (tolerance + 5 mm); for selected covers: 6050 mm, 10050 mm (tolerance + 5 mm)
- when choosing a different length of profiles / covers than available in the standard, you should additionally choose the cutting service at KLUŚ

TECHNICAL DRAWING

1:2



TECHNICAL SPECIFICATIONS

Material	aluminum
Color	■ silver non anodized
Possible fixture shapes	linear, polygonal
Width	64.9 mm
Height	35.5 mm
Building type	Commercial, Residential, HoReCa object, Entertainment/ Arts
Facility zone	lobby / foyer, office, conference room, communication routes and corridors
Can be easily connected into runs	yes
Mounting to drywall	yes
To cover with plaster	yes
Wire out back of extrusion	yes

Length	Ref
1000 mm	A18059N_1 18059NA_1
2005 mm	A18059N_2 18059NA_2
3010 mm	A18059N_3 18059NA_3

Profile RAM-TEK-50

Ref. A18059

Ref. arch 18059

SAMPLE PROJECTS



RELATED PROFILES > FOR MAIN LIGHTING



OMODO-50

A18053

Ref. arch 18053

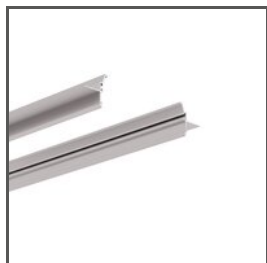
RELATED PROFILES > MOUNTING TRACKS



MOD-MOS-50

A01773

Ref. arch C1773



MOD-KR-TEK

A02052

Ref. arch C2052

RELATED ACCESSORIES > RELATED END CAPS

NAME	MATERIAL	COLOR	REF.
RAM-TEZE-50	ABS	gray	C24350C02 24350

Profile RAM-TEK-50

Ref. A18059

Ref. arch 18059

RELATED ACCESSORIES > OTHER RELATED ACCESSORIES > ADDITIONAL ITEMS



MOUNTING WEDGE

Z70397

Ref. arch 70397

RELATED ACCESSORIES > OTHER RELATED ACCESSORIES > CONNECTORS



CONNECTOR

ZM-180

C28075N00

Ref. arch 40693



CONNECTOR

ZM-NA-120

C28242N00

Ref. arch 42729

RELATED ACCESSORIES > OTHER RELATED ACCESSORIES > SPRINGS FOR RECESSED MOUNT AND MOUNTING TRACKS

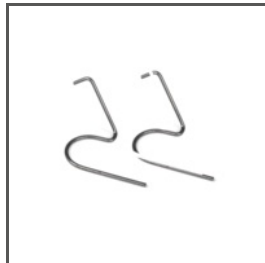


SPRING

KR

C42737N00

Ref. arch 42737



SPRING

RAM-1

C42738N00

Ref. arch 42738