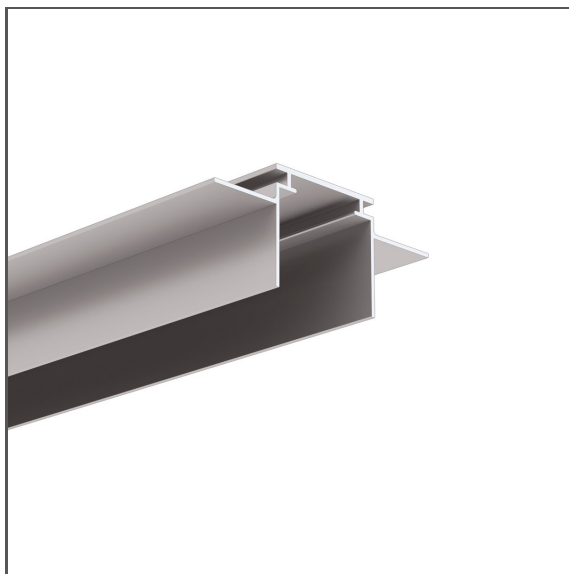


Profile TEKUS

Ref. A06638V

Ref. arch B6638V1



- Mounting track
- Mounting to 16 mm | 0.63" drywall
- Easy servicing of the lighting fixture
- Stable mounting to a suspended ceiling
- Non visible aluminum elements

APPLICATION

- makes installation and service of lighting fixtures easy

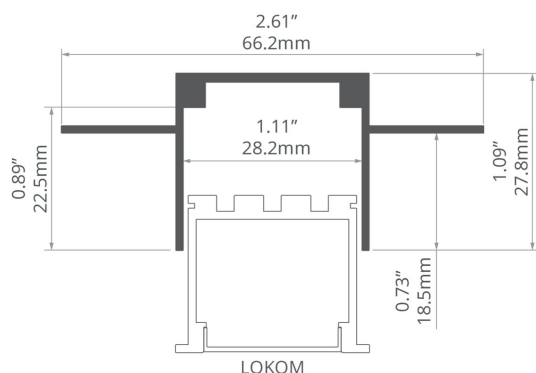
MOUNTING

- in drywall, with screws

ADDITIONAL INFORMATION

- standard lengths of KLUŚ profiles and covers: 1000 mm (tolerance ± 1.5 mm) and 2005 mm / 3010 mm (tolerance + 5 mm); for selected covers: 6050 mm, 10050 mm (tolerance + 5 mm)
- when choosing a different length of profiles / covers than available in the standard, you should additionally choose the cutting service at KLUŚ

TECHNICAL DRAWING



TECHNICAL SPECIFICATIONS

| | |
|-----------------------------------|--|
| Material | aluminum |
| Color | ■ silver non anodized |
| Possible fixture shapes | linear, polygonal |
| Profile cross-section | rectangular |
| Width | 66.2 mm |
| Height | 27.8 mm |
| Building type | Entertainment/ Arts, HoReCa object, Commercial, Retail |
| Facility zone | lobby / foyer, industrial and technical, conference room, office, communication routes and corridors |
| Can be easily connected into runs | yes |
| Mounting to drywall | yes |
| To cover with plaster | yes |
| Wire out back of extrusion | yes |

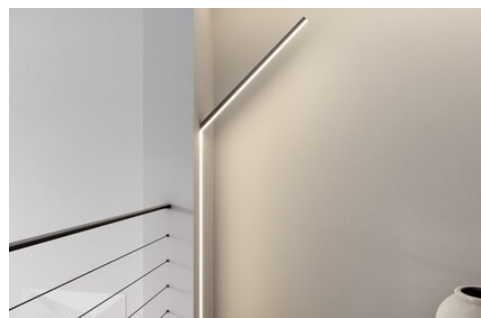
| Length | Ref |
|---------|----------------------------|
| 1000 mm | A06638V1N_1 B6638V1NA_1 |
| 2005 mm | A06638V1N_2 B6638V1NA_2 |
| 3010 mm | A06638V1N_3 B6638V1NA_3 |

Profile TEKUS

Ref. A06638V

Ref. arch B6638V1

SAMPLE PROJECTS



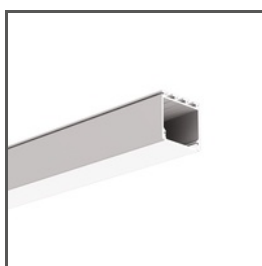
RELATED PROFILES > ARCHITECTURAL



GIZA-LL
A00758
Ref. arch C0758



GIZA
A05556
Ref. arch B5556



LIPOD
A05554
Ref. arch B5554



LOKOM
A05553
Ref. arch B5553

RELATED SYSTEMS > ARCHITECTURAL



GIZA-LL
A00758
Ref. arch C0758



GIZA
A05556
Ref. arch B5556



LIPOD
A05554
Ref. arch B5554



LOKOM
A05553
Ref. arch B5553