

Profile GLAZA-DUO

Ref. A03059

Ref. arch C3059



- Up/down lighting
- Smooth profile walls
- Fasteners are mounted to the cover hook

APPLICATION

- main and decorative lighting

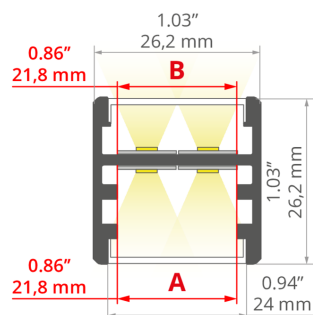
MOUNTING

- suspended, using dedicated accessories
- can be easily connected into runs and systems

ADDITIONAL INFORMATION

- standard lengths of KLUŚ profiles and covers: 1000 mm (tolerance ± 1.5 mm) and 2005 mm / 3010 mm (tolerance + 5 mm); for selected covers: 6050 mm, 10050 mm (tolerance + 5 mm)
- when choosing a different length of profiles / covers than available in the standard, you should additionally choose the cutting service at KLUŚ

TECHNICAL DRAWING



TECHNICAL SPECIFICATIONS

| | |
|---|--|
| Material | aluminum |
| Color | ■ silver anodized |
| Possible fixture IP | 20 |
| Possible fixture shapes | linear, polygonal |
| Profile cross-section | rectangular |
| Width | 26.2 mm |
| Height | 26.2 mm |
| LED gluing width A | 21.8 mm |
| LED gluing width B | 21.8 mm |
| Number of LED strips A (8 mm wide) | 2 |
| Number of LED strips B (8 mm wide) | 2 |
| Possibility of obtaining a line of light | yes |
| Building type | Entertainment/ Arts, HoReCa object, Commercial, Retail |
| Facility zone | office, lobby / foyer, conference room, communication routes and corridors |
| Can be easily connected into runs | yes |
| Two directional lighting for suspended fixtures | yes |

| Length | Ref |
|---------|---------------------------|
| 1000 mm | A03059A_1 C3059ANODA_1 |
| 2005 mm | A03059A_2 C3059ANODA_2 |
| 3010 mm | A03059A_3 C3059ANODA_3 |

Profile GLAZA-DUO

Ref. A03059

Ref. arch C3059

SAMPLE PROJECTS



RELATED ACCESSORIES > RELATED COVERS

| NAME | MATERIAL | MATERIAL TRANSMITTANCE | COLOR | REF. |
|----------|----------|------------------------|--|--------------------|
| LIGER-22 | PC | 62 % | <input type="checkbox"/> frosted | B17032M 17032V1 |
| | | B17032M 17032V1OP | | |
| HS-22 | PC | 39 % | <input checked="" type="checkbox"/> black | B17032C 17087 |
| | | 73 % | <input type="checkbox"/> frosted | B17011M 17011 |
| MUN-22 | PC | 94 % | <input checked="" type="checkbox"/> clear | B17011T 17022 |
| | | 86 % | <input checked="" type="checkbox"/> semi-transparent | B17042F 17042 |

RELATED ACCESSORIES > RELATED END CAPS

| NAME | MATERIAL | COLOR | REF. |
|-----------|----------|--|--------------------|
| GLAZA-DUO | ABS | <input checked="" type="checkbox"/> gray | C24418C02 24418 |
| | | <input checked="" type="checkbox"/> silver | C24418L01 24452 |

RELATED ACCESSORIES > RELATED LED



K-1275-12V
K-1275-12
Ref. arch K-1275-12V



WP-K-1220-12V
KWP-1220-12
Ref. arch WP-K-1220-12V



WP-K-1220-IP65-12V
_błąd
Ref. arch WP-K-1220-IP65-12V

Profile GLAZA-DUO

Ref. A03059

Ref. arch C3059

RELATED ACCESSORIES > RELATED LED > WHITE MONO



WP-K-1640-HD-IP65-24V
KWP-GHD-1640-24
Ref. arch WP-K-1640-HD-IP65-24V

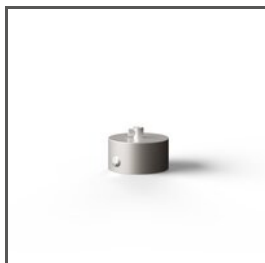


WP-K-1910-HD-IP65-24V
KWP-GHD-1910-24
Ref. arch WP-K-1910HDIP6524V



WP-K-1220-IP65-24V
KWP-1220-IP65-24
Ref. arch WP-K-1220-IP65-24V

RELATED ACCESSORIES > OTHER RELATED ACCESSORIES > ADDITIONAL ITEMS



CANOPY
Fi-60mm
C24540

RELATED ACCESSORIES > OTHER RELATED ACCESSORIES > CONDUCTIVE FASTENERS AND HEADS FOR PROFILES



FASTENER
OS22-LIN-Z
C28184L07, C28184L10
Ref. arch 42341L9005, 42341L9010



FASTENER
OS22-PRET-Z
C28186L07, C28186L10
Ref. arch 42344L9005, 42344L9010



FASTENER
OS22-DUO-LIN-Z
C28183L07, C28183L10
Ref. arch 42340L9005, 42340L9010



FASTENER
OS22-DUO-PRET-Z
C28185L07, 42343L9010
Ref. arch 42343L9005, 42343L9010

RELATED ACCESSORIES > OTHER RELATED ACCESSORIES > OTHER



GLAND
6x1,2
C24517C07
Ref. arch 00802

Profile GLAZA-DUO

Ref. A03059

Ref. arch C3059

RELATED ACCESSORIES > OTHER RELATED ACCESSORIES > PROFILE MASKING COVERS



MASKING COVER

MP-22

C28261L01_0.25,
C28261L10_0.25,
C28261L07_0.25

Ref. arch 17167, 17167L9010,
17167L9005