

# Profile TOST

Ref. A05393

Ref. arch B5393



- Simplified design
- Smooth profile walls
- Small bending radius

## APPLICATION

- furniture and decorative lighting

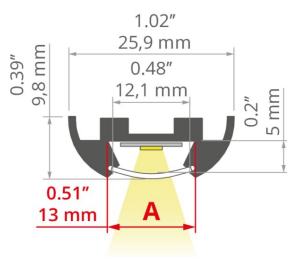
## MOUNTING

- to the surface, with mounting adhesive or properly selected screws
- can be easily connected into runs and systems

## ADDITIONAL INFORMATION

- cover with a simplified structure
- standard lengths of KLUŚ profiles and covers: 1000 mm (tolerance  $\pm 1.5$  mm) and 2005 mm / 3010 mm (tolerance + 5 mm); for selected covers: 6050 mm, 10050 mm (tolerance + 5 mm)
- when choosing a different length of profiles / covers than available in the standard, you should additionally choose the cutting service at KLUŚ

## TECHNICAL DRAWING



## TECHNICAL SPECIFICATIONS

Material	aluminum
Color	■ silver anodized
Possible fixture IP	20
Possible fixture shapes	linear
Profile cross-section	rectangular
Width	25.9 mm
Height	9.1 mm
LED gluing width A	13 mm
Number of LED strips A (8 mm wide)	1
Building type	Residential, Retail, HoReCa object
Facility zone	furniture, shop windows and exhibition
The cover is cut to the length of the profile	yes
Can be easily connected into runs	yes
Wire out end cap	yes
Wire out back of extrusion	yes

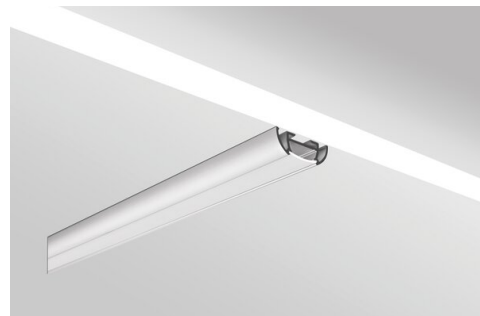
Length	Ref
1000 mm	A05393A_1 B5393ANODA_1
2005 mm	A05393A_2 B5393ANODA_2

# Profile TOST

Ref. A05393

Ref. arch B5393

## SAMPLE PROJECTS



## RELATED ACCESSORIES > RELATED COVERS

NAME	MATERIAL	MATERIAL TRANSMITTANCE	COLOR	REF.
T	PMMA	83 %	<input type="checkbox"/> frosted	B17015M 17015

## RELATED ACCESSORIES > RELATED END CAPS

NAME	MATERIAL	COLOR	REF.
TOST EKO	PP	<input type="checkbox"/> white	C20054C10 20054

## RELATED ACCESSORIES > OTHER RELATED ACCESSORIES > CONNECTORS



CONNECTOR  
**ZD-PION-90**  
C28244N00  
Ref. arch 43504



CONNECTOR  
**ZD-PION-135**  
C28245N00  
Ref. arch 43505

RELATED ACCESSORIES > OTHER RELATED ACCESSORIES > OTHER



GLAND

**6x1,2**

C24517C07

Ref. arch 00802

RELATED ACCESSORIES > OTHER RELATED ACCESSORIES > SECURITY AND BLOCKS



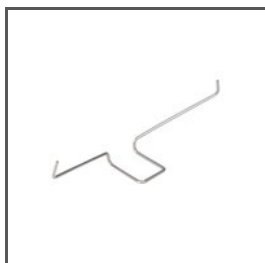
BLOCK

**ZD**

C28195N00

Ref. arch 42521

RELATED ACCESSORIES > OTHER RELATED ACCESSORIES > SURFACE SPRINGS



SPRING

**TR**

C24502N00

Ref. arch 00801