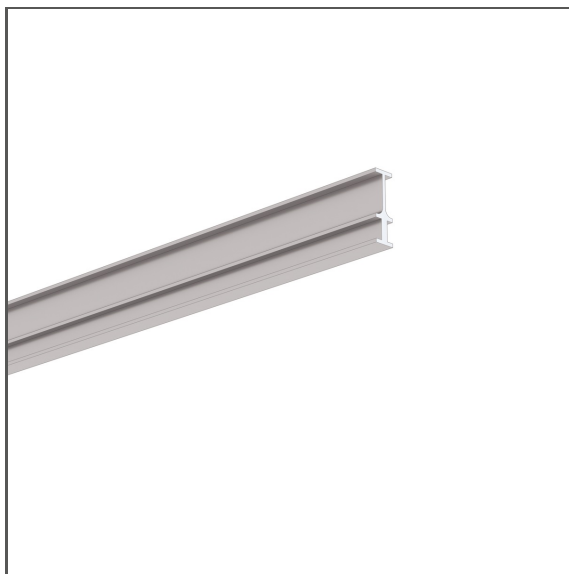


Profile FOLHAK

Ref. A08338

Ref. arch B8338



- Mounting track
- Installation of lighting and stretch films in suspension

APPLICATION

- makes suspending the FOLED profile easy

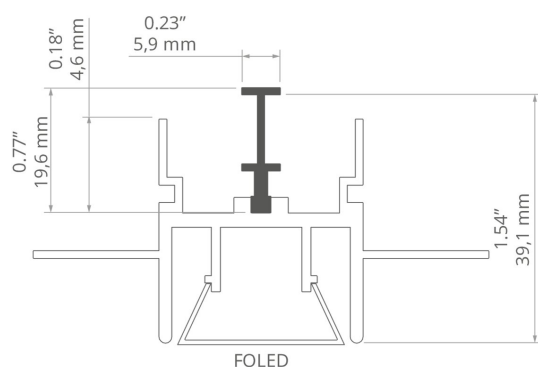
MOUNTING

- suspended, using dedicated accessories

ADDITIONAL INFORMATION

- mounting strip can be used in sections
- standard lengths of KLUŚ profiles and covers: 1000 mm (tolerance ± 1.5 mm) and 2005 mm (tolerance ± 5 mm); for selected covers: 6050 mm, 10050 mm (tolerance ± 5 mm)
- when choosing a different length of profiles / covers than available in the standard, you should additionally choose the cutting service at KLUŚ

TECHNICAL DRAWING



TECHNICAL SPECIFICATIONS

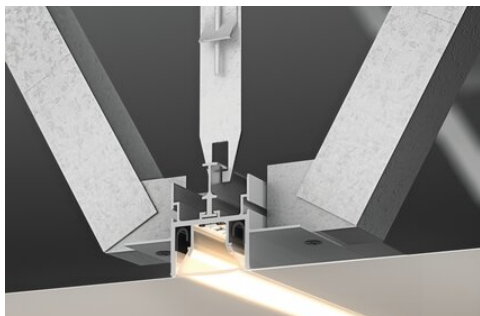
Material	aluminum	Length	Ref
Color	■ silver non anodized	1000 mm	A08338N_1 B8338NA_1
Possible fixture shapes	linear	2005 mm	A08338N_2 B8338NA_2
Width	5.9 mm		
Height	19.6 mm		
Building type	Commercial, Retail, Entertainment/ Arts, HoReCa object		
Facility zone	office, conference room, communication routes and corridors		

Profile FOLHAK

Ref. A08338

Ref. arch B8338

SAMPLE PROJECTS



RELATED PROFILES > STRETCH CEILINGS



FOLED
A08332V1
Ref. arch B8332V1



FOLED-50
A03632
Ref. arch C3632

RELATED ACCESSORIES > OTHER RELATED ACCESSORIES > MOUNTING BRACKETS



SPRING HANGER
Z71000
Ref. arch 79106